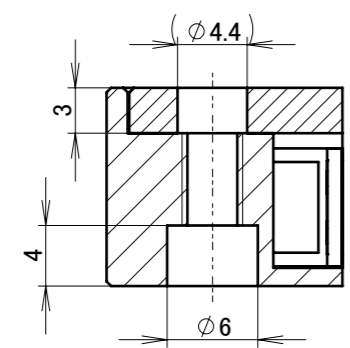
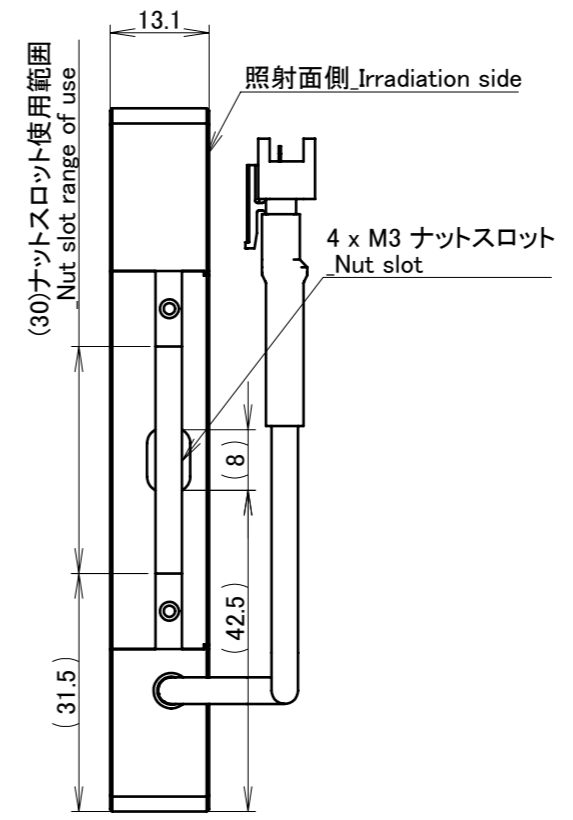
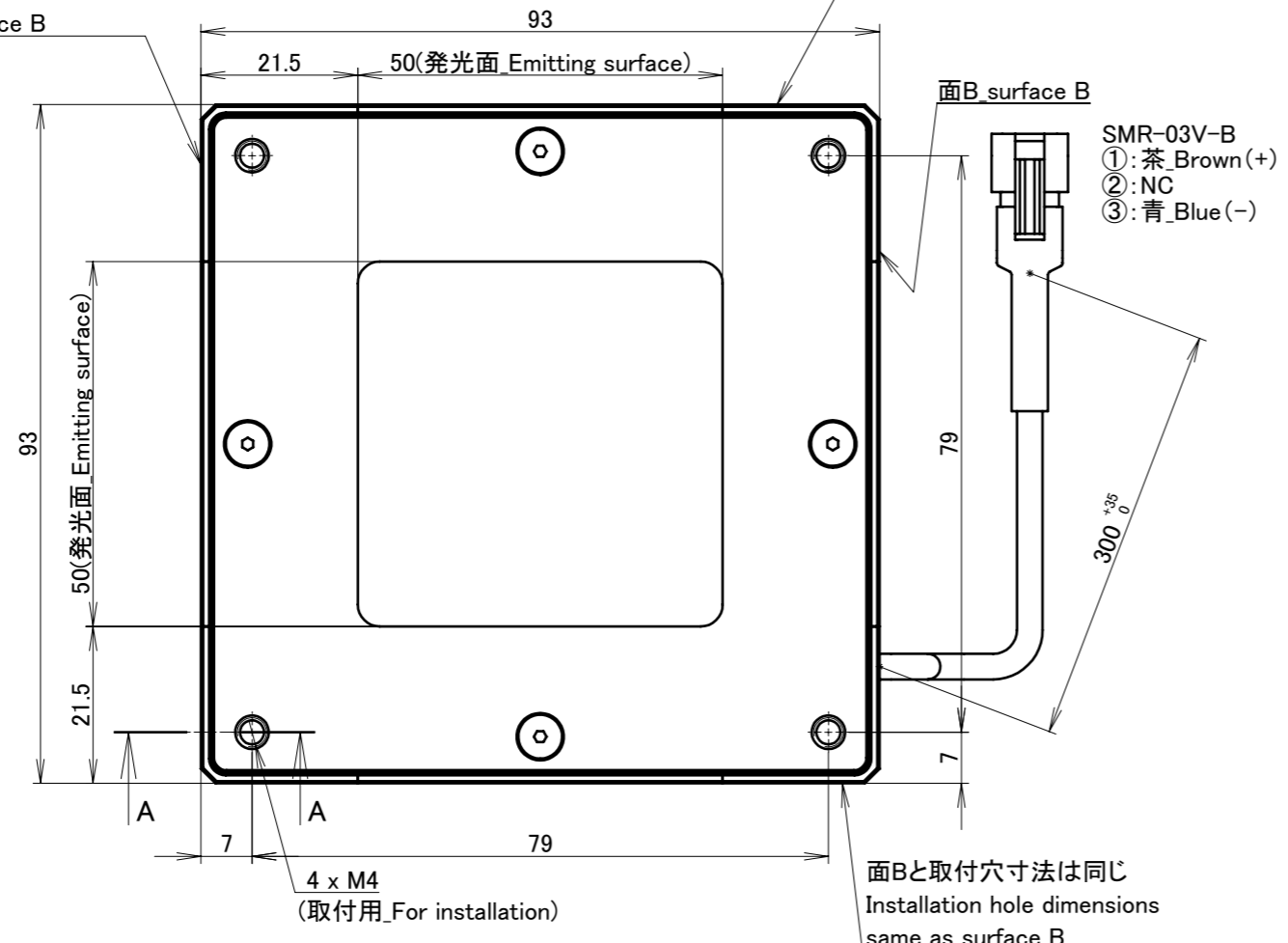
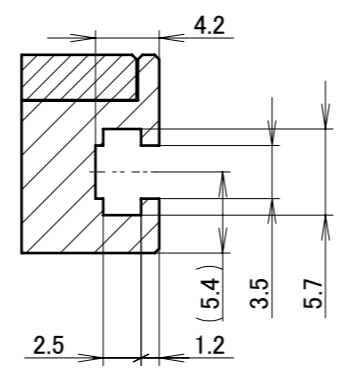


面Bと取付穴寸法は同じ
Installation hole dimensions
same as surface B

面Bと取付穴寸法は同じ
Installation hole dimensions
same as surface B



A-A
(2:1)



M3ナットスロット詳細図
_Nut slot Detail drawing

	LFX3-50SW-PT-A	LFX3-50SW-PT-B
導光板パターン幅 Light guide plate pattern width	1mm	2mm

入力電圧_Input Voltage : DC 24V
消費電力_Power Consumption : 12W

UNIT:mm

REVISION	DATE	DESCRIPTION	REVISED
000			

ISSUE DATE	SCALE	APPROVED	NAME
2022/10/03	1:1	T.OSAWA	LFX3-50SW-PT-A(A)/LFX3-50SW-PT-B(A)
	SHEET SIZE	CHECKED	DRAWING NAME
	A3	Y.INOUE	外觀図_Outline
	PROJECTION	DESIGNED	DRAWING No.
		H.KITAGAWA	UA41412-G
		DRAWN	REVISION SHEET
		H.KITAGAWA	000 / 01

