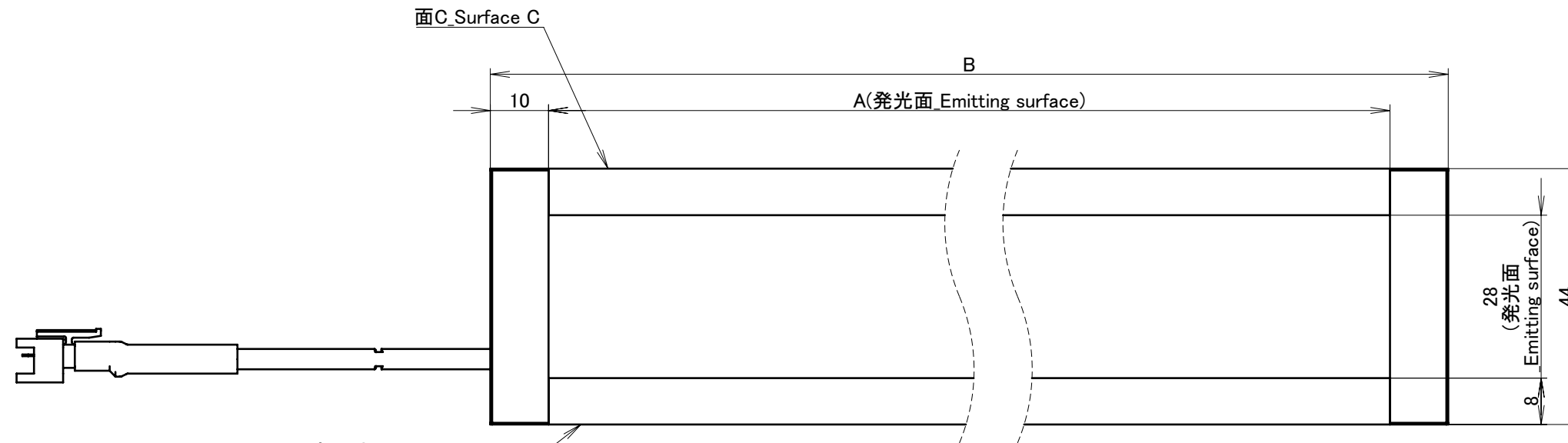
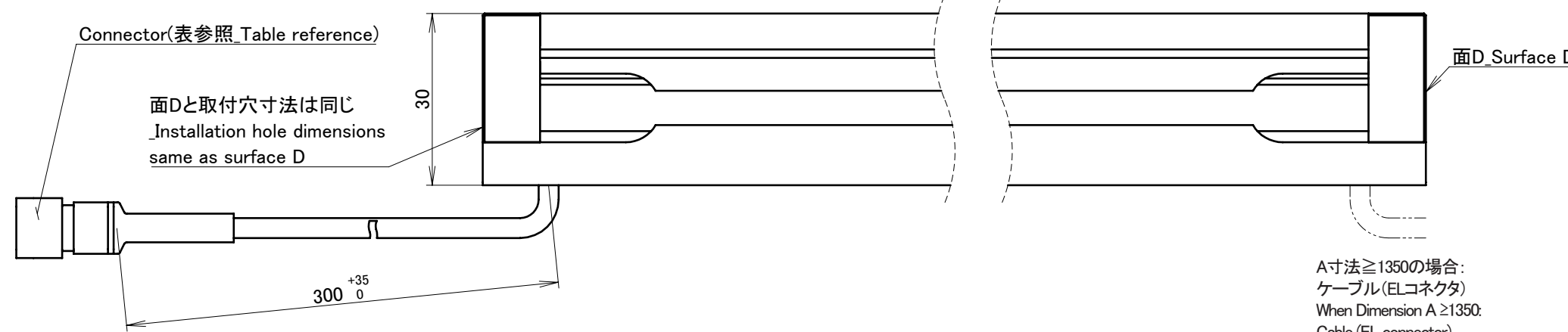
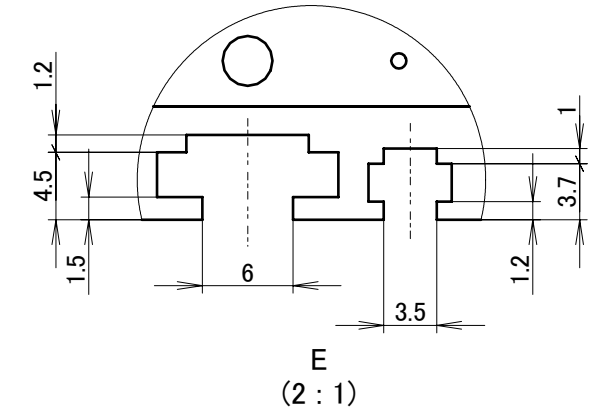


HLDL3-xxx(SW/BL/RD/IR)-DF-(N/M)

N:ナロータイプ_Narrow type
M:ミディアムタイプ_Medium type

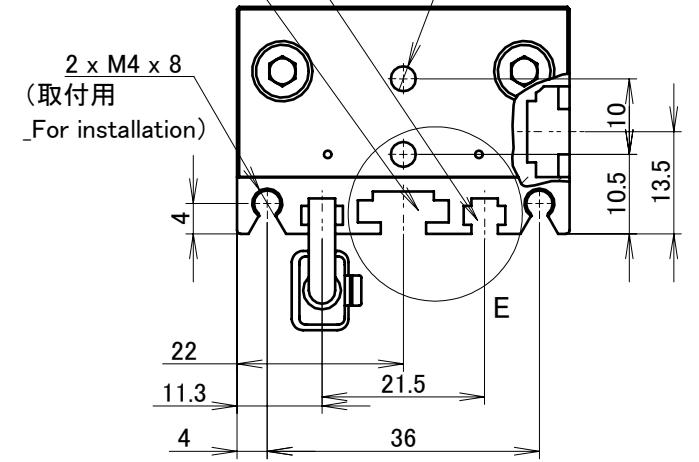


面Cと取付穴寸法は同じ
_Installation hole dimensions same as surface C



面Dと取付穴寸法は同じ
_Installation hole dimensions same as surface D

2xM3 ナット用スロット_Nut slot (取付用_For installation)
3x M5 ナット用スロット_Nut slot (取付用_For installation)
2 x M4 x 10 (取付用_For installation)



A寸法 ≥ 1350の場合:
ケーブル(ELコネクタ)
When Dimension A ≥ 1350:
Cable (EL connector)

型式_Model	A寸法 Dimension	B寸法 Dimension	消費電力 Power Consumption	質量 Mass	ケーブル本数 Number of cables	コネクタ Connector
HLDL3-150X28(SW/BL/RD/IR)-DF-(N/M)	150	170	15W	0.35kg	1	SMR-03V-B 1:茶_Brown(+) 2:NC 3:青_Blue(-)
HLDL3-300X28(SW/BL/RD/IR)-DF-(N/M)	300	320	30W	0.6kg		
HLDL3-450X28(SW/BL/RD/IR)-DF-(N/M)	450	470	44W	0.91kg		
HLDL3-600X28(SW/BL/RD/IR)-DF-(N/M)	600	620	59W	1.2kg		
HLDL3-750X28(SW/BL/RD/IR)-DF-(N/M)	750	770	74W	1.6kg		
HLDL3-900X28(SW/BL/RD/IR)-DF-(N/M)	900	920	88W	1.8kg		
HLDL3-1050X28(SW/BL/RD/IR)-DF-(N/M)	1050	1070	103W	2.2kg		
HLDL3-1200X28(SW/BL/RD/IR)-DF-(N/M)	1200	1220	117W	2.4kg		
HLDL3-1350X28(SW/BL/RD/IR)-DF-(N/M)	1350	1370	132W	2.8kg		
HLDL3-1500X28(SW/BL/RD/IR)-DF-(N/M)	1500	1520	147W	3.0kg	2	ELP-02V 1:青_Blue(+) 2:白_White(-)
HLDL3-1650X28(SW/BL/RD/IR)-DF-(N/M)	1650	1670	161W	3.4kg		
HLDL3-1800X28(SW/BL/RD/IR)-DF-(N/M)	1800	1820	176W	3.6kg		

入力電圧_Input Voltage : DC 24V
消費電力_Power Consumption : (表参照_Table reference)
質量_Mass : (表参照_Table reference)

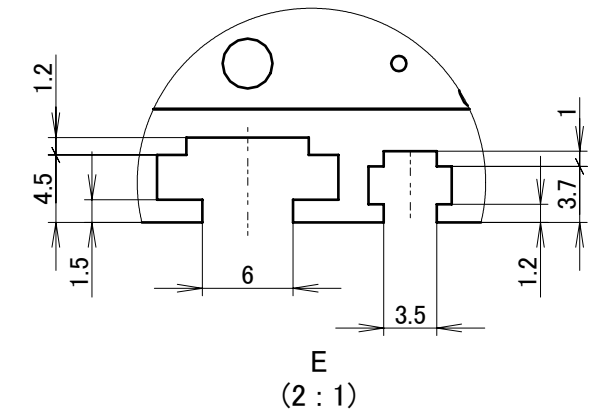
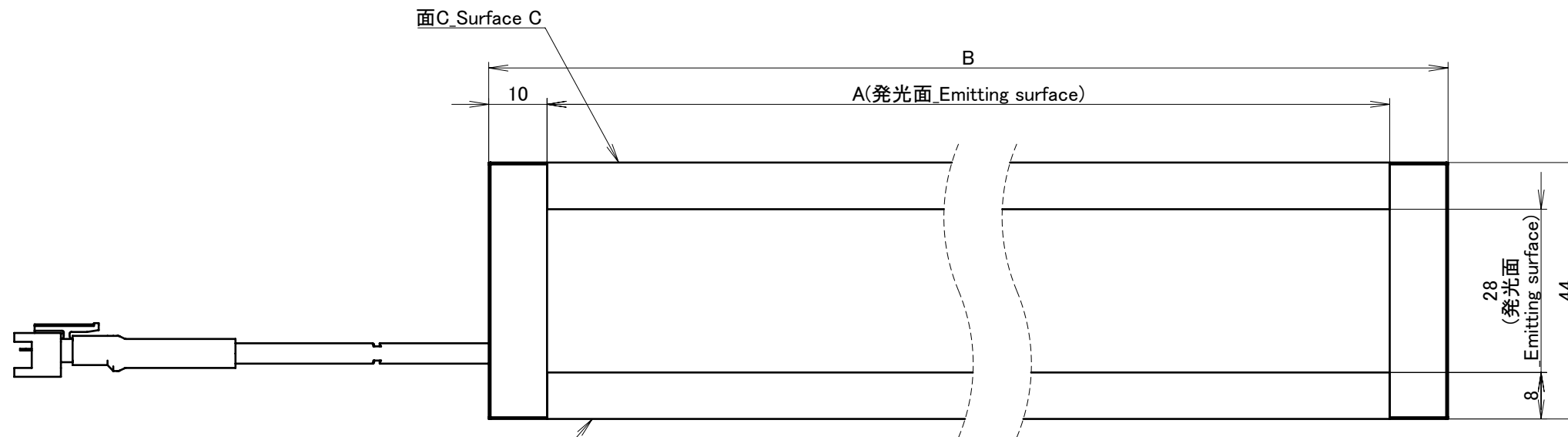
UNIT:mm

REVISION	DATE	DESCRIPTION	REVISED
000			

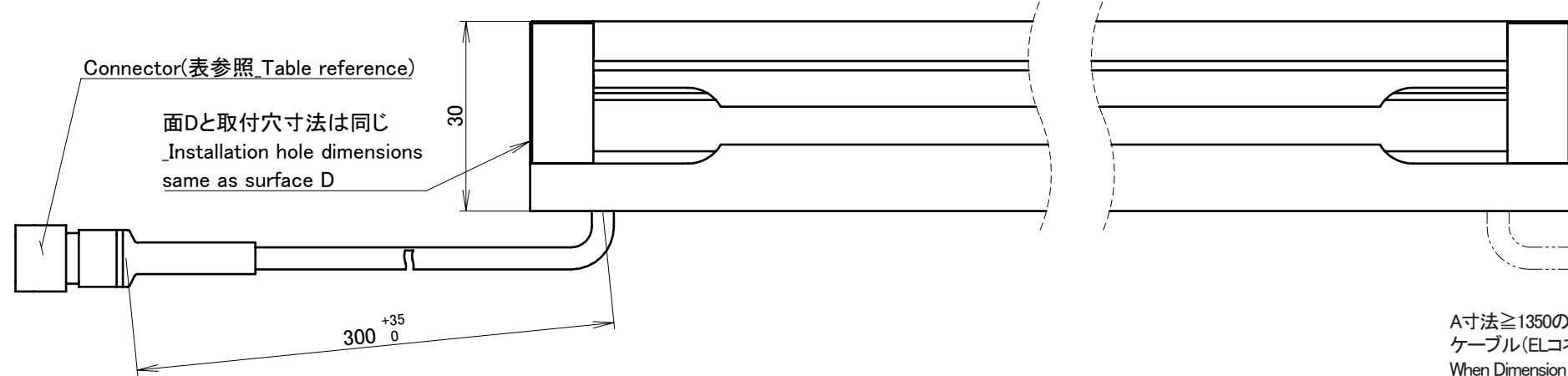
ISSUE DATE	SCALE	APPROVED	NAME
2021/01/13	1:1	T.OSAWA	HLDL3 series
	SHEET SIZE	CHECKED	DRAWING NAME
	A3	Y.INOUE	外観図_outline
	PROJECTION	DESIGNED	DRAWING No.
		H.TOYOTA	UA37365-G
		DRAWN	REVISION
		H.TOYOTA	000

CCS Inc.

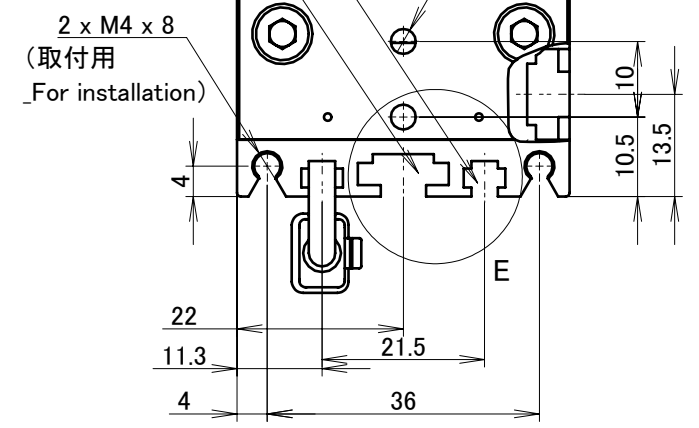
HLDL3-xxx(SW/BL/RD/IR)-DF-W ワイドタイプ_Wide type



面Cと取付穴寸法は同じ
Installation hole dimensions same as surface C



2xM3 ナット用スロット_Nut slot (取付用_For installation)
3 x M5 ナット用スロット_Nut slot (取付用_For installation)
2 x M4 x 10 (取付用_For installation)



A寸法 \geq 1350の場合:
ケーブル(ELコネクタ)
When Dimension A \geq 1350:
Cable (EL connector)

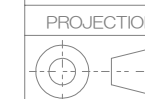
入力電圧_Input Voltage : DC 24V
消費電力_Power Consumption : (表参照_Table reference)
質量_Mass : (表参照_Table reference)

型式_Model	A寸法 Dimension	B寸法 Dimension	消費電力 Power Consumption	質量 Mass	ケーブル本数 Number of cables	コネクタ Connector
HLDL3-150X28(SW/BL/RD/IR)-DF-W	150	170	15W	0.37kg	1	SMR-03V-B 1:茶_Brown(+) 2:NC 3:青_Blue(-)
HLDL3-300X28(SW/BL/RD/IR)-DF-W	300	320	30W	0.62kg		
HLDL3-450X28(SW/BL/RD/IR)-DF-W	450	470	44W	0.94kg		
HLDL3-600X28(SW/BL/RD/IR)-DF-W	600	620	59W	1.3kg		
HLDL3-750X28(SW/BL/RD/IR)-DF-W	750	770	74W	1.6kg		
HLDL3-900X28(SW/BL/RD/IR)-DF-W	900	920	88W	1.9kg		
HLDL3-1050X28(SW/BL/RD/IR)-DF-W	1050	1070	103W	2.2kg		
HLDL3-1200X28(SW/BL/RD/IR)-DF-W	1200	1220	117W	2.5kg		
HLDL3-1350X28(SW/BL/RD/IR)-DF-W	1350	1370	132W	2.9kg	2	ELP-02V 1:青_Blue(+) 2:白_White(-)
HLDL3-1500X28(SW/BL/RD/IR)-DF-W	1500	1520	147W	3.1kg		
HLDL3-1650X28(SW/BL/RD/IR)-DF-W	1650	1670	161W	3.5kg		
HLDL3-1800X28(SW/BL/RD/IR)-DF-W	1800	1820	176W	3.8kg		

UNIT:mm

000	DATE	DESCRIPTION	REVISED

ISSUE DATE	SCALE	APPROVED	NAME
2021/01/13	1:1	T.OSAWA	HLDL3 series
	SHEET SIZE	CHECKED	DRAWING NAME
	A3	Y.INOUE	外觀図_outline
	PROJECTION	DESIGNED	DRAWING No.
		H.TOYOTA	UA37357-G
		DRAWN	REVISION
		H.TOYOTA	000



01/01